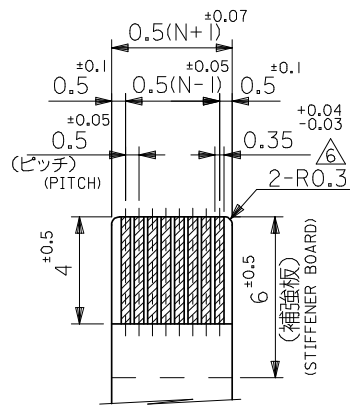


注記 NOTES

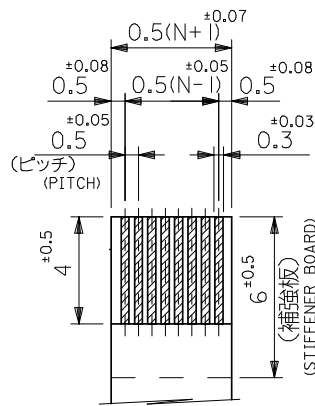
- l. 使用材料 : MATERIAL
 ハウジング : 46ナイロン, UL 94V-0
 HOUSING : 46NYLON
 アクチュエータ : PPS, UL 94V-0
 ACTUATOR
 ターミナル : リン青銅 (t=0.2)
 TERMINAL : PHOS-BRO
 : 錫ビスマスメッキ 1.0マイクロメートル以上
 : TIN-BISMUTH 1.0 MICROMETER MINIMUM
 : ニッケル下地 1.0マイクロメートル以上
 : NICKEL (UNDER PLATING) 1.0 MICROMETER MINIMUM
 金具 : リン青銅 (t=0.2)
 FITTING NAIL : PHOS-BRO
 : 錫メッキ 1.0マイクロメートル以上
 : TIN 1.0 MICROMETER MINIMUM
 : ニッケル下地 1.0マイクロメートル以上
 : NICKEL (UNDER PLATING) 1.0 MICROMETER MINIMUM
2. エンボステープ梱包時は、アクチュエータがロックした状態とする。
 IN THE PACKAGE, ACTUATOR OF PART NO.52435-**-26 SHOULD BE LOCKED.
- △ ソルダータール半田付け面のズレ量、及び金具半田付け面のズレ量は、基準面 H に対し上方向 0.1 MAX. , 下方向 0.15MAX. とする。
 MISALIGNMENT OF SOLDER TAILS AND FITTING NAILS FROM H UPPER DIRECTION: 0.1 MAX. , LOWER DIRECTION: 0.15MAX.
- △ 偶数極に適用。
 APPLY FOR EVEN CIRCUIT.
- △ パターンはくり止め用金具。
 FITTING NAIL FOR PREVENTION OF PEELING OF P.C.B. PATTERN.
- △ R0.3は、FPCの導体部にかからないこと。
 R0.3 MUST NOT BE OVERLAPPED TO PATTERN OF FPC.
7. 本製品は52435-**-27の鉛フリー品です。
 THIS PRODUCT IS LEAD FREE OF 52435-**-27.

52435-**-2*	1 BLACK
	6 NATURAL
52435-**-7*	2 NATURAL
	3 BLACK

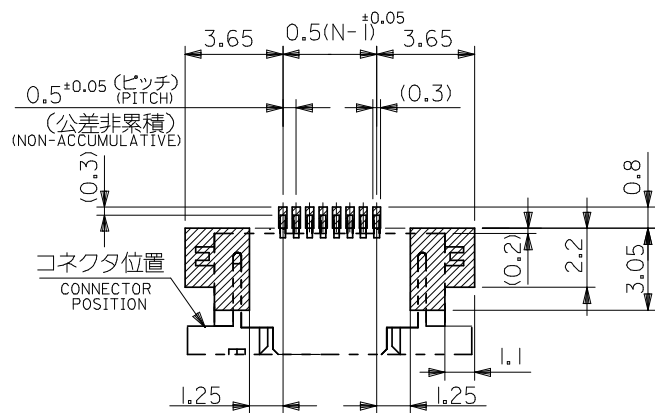
REVISED EC NO: J2008-4048 DRWN: MWABEI CH'KD: THARYAMA APPR: NUKITA	GENERAL TOLERANCES (UNLESS SPECIFIED)		DIMENSION STYLE MM ONLY		SCALE ---	52435-**-2*	MODEL NO.
	10 UNDER	±0.2	DRAWN BY YMAEDA	DATE 2005/11/10	TITLE 0.5 FPC CONN ZIF FOR SMT R/A (TOP CONTACT) -LEAD FREE-	DESIGN UNITS METRIC	THIRD ANGLE PROJECTION
	10 OVER 30 UNDER	±0.25	CHECKED BY MTANAKA	DATE 2005/11/10	MOLEX INCORPORATED	DOCUMENT NO. SD-52435-019	SHEET NO. 1 OF 2
	30 OVER	±0.3	APPROVED BY NUKITA	DATE 2005/11/10			
	ANGULAR	±3 °	MATERIAL NO. SEE SHEET 2				
DRAFT WHERE APPLICABLE MUST REMAIN WITHIN DIMENSIONS		SIZE A3		THIS DRAWING CONTAINS INFORMATION THAT IS PROPRIETARY TO MOLEX INCORPORATED AND SHOULD NOT BE USED WITHOUT WRITTEN PERMISSION			



適合FPC推奨寸法
 APPLICABLE FPC
 RECOMMENDED DIMENSION.
 (仕上がり厚さ: $0.3^{+0.05}$)
 (THICKNESS: $0.3^{+0.05}$)



適合FFC推奨寸法
 APPLICABLE FFC
 RECOMMENDED DIMENSION.
 (仕上がり厚さ: $0.3^{+0.05}$)
 (THICKNESS: $0.3^{+0.05}$)



参考基板レイアウト
 (マウント面)
 RECOMMENDED P.C. BOARD
 PATTERN DIMENSION (REF.)
 (MOUNTING SIDE)

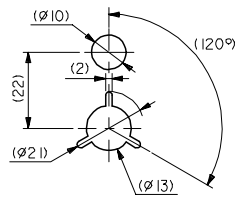
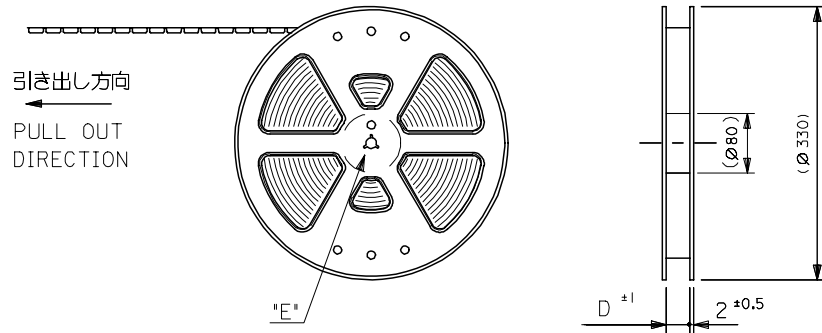
FPCについて:
 打抜き方向は導体側から補強板側を推奨致します。
 補強フィルム材質はポリイミドを推奨致します。
 接着剤は熱硬化接着剤を推奨致します。

ABOUT FPC:

RECOMMENDED PUNCHER DIRECTION : FROM CONDUCTOR SIDE TO STIFFENER BOARD SIDE.
 RECOMMENDED MATERIAL :
 STIFFENER FILM : POLYIMIDE
 BONDING AGENT : THERMOSETTING BONDING AGENT

21.6	19.6	15.65	14.5	52435-307*	52435-302*	30
21.1	19.1	15.15	14.0	-297*	-292*	29
20.6	18.6	14.65	13.5	-287*	-282*	28
20.1	18.1	14.15	13.0	-277*	-272*	27
19.6	17.6	13.65	12.5	-267*	-262*	26
19.1	17.1	13.15	12.0	-257*	-252*	25
18.6	16.6	12.65	11.5	-247*	-242*	24
18.1	16.1	12.15	11.0	-237*	-232*	23
17.6	15.6	11.65	10.5	-227*	-222*	22
17.1	15.1	11.15	10.0	-217*	-212*	21
16.6	14.6	10.65	9.5	-207*	-202*	20
16.1	14.1	10.15	9.0	-197*	-192*	19
15.6	13.6	9.65	8.5	-187*	-182*	18
15.1	13.1	9.15	8.0	-177*	-172*	17
14.6	12.6	8.65	7.5	-167*	-162*	16
14.1	12.1	8.15	7.0	-157*	-152*	15
13.6	11.6	7.65	6.5	-147*	-142*	14
13.1	11.1	7.15	6.0	-137*	-132*	13
12.6	10.6	6.65	5.5	-127*	-122*	12
12.1	10.1	6.15	5.0	-117*	-112*	11
11.6	9.6	5.65	4.5	-107*	-102*	10
11.1	9.1	5.15	4.0	-097*	-092*	9
10.6	8.6	4.65	3.5	-087*	-082*	8
10.1	8.1	4.15	3.0	-077*	-072*	7
9.6	7.6	3.65	2.5	52435-067*	52435-062*	6
D	C	B	(A)	EMBOSSED TAPE	MATERIAL NO.	極数 CRT.
				ORDER No. オーダー番号		

REVISED EC NO: J2008-4048 DRWN: WABEI CHKD: THARUYAMA APPR: NUKITA	GENERAL TOLERANCES (UNLESS SPECIFIED)		DIMENSION STYLE MM ONLY		SCALE ---	DESIGN UNITS METRIC	THIRD ANGLE PROJECTION
	10 UNDER	±0.2	DRAWN BY YMAEDA	DATE 2005/11/10	TITLE 0.5 FPC CONN ZIF FOR SMT R/A (TOP CONTACT) -LEAD FREE-		
	10 OVER 30 UNDER	±0.25	CHECKED BY MTANAKA	DATE 2005/11/10	MOLEX INCORPORATED		
	30 OVER	±0.3	APPROVED BY NUKITA	DATE 2005/11/10	MATERIAL NO.	DOCUMENT NO. SD-52435-019	SHEET NO. 2 OF 2
	ANGULAR ±3		DRAFT WHERE APPLICABLE MUST REMAIN WITHIN DIMENSIONS		THIS DRAWING CONTAINS INFORMATION THAT IS PROPRIETARY TO MOLEX INCORPORATED AND SHOULD NOT BE USED WITHOUT WRITTEN PERMISSION		



DETAIL "E"

5. 材料 (MATERIAL)

キャリアテープ (CARRIER TAPE): ポリプロピレン (POLYPROPYLENE)
 トップテープ (TOPTAPE): PET, PE, PEF
 リール (REEL): ポリスチレン (PS) <リサイクル材を含む>
 POLYSTYREN (PS) <RECYCLE MATERIAL CONTAINED>

6. 本製品は52435-***91の鉛フリー品です。
 THIS PRODUCT IS LEAD FREE OF 52435-***91.

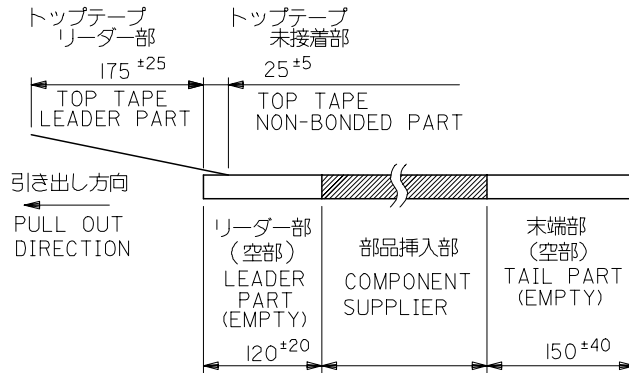
7. MATERIAL NO.

52435-***7*

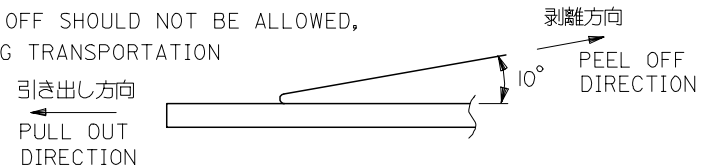
2	NATURAL
3	BLACK

注記 NOTES

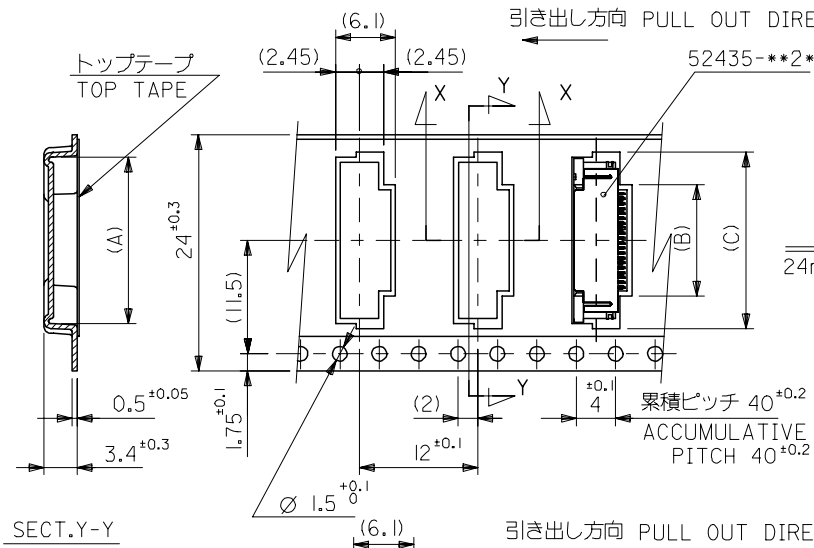
- 製品番号 52435-***26 の梱包状態はアクチュエータがロックした状態とする。
 詳細寸法については図面 SD-52435-019 を参照下さい。
 IN THE PACKAGE, ACTUATOR OF PART NO. 52435-***26 SHOULD BE LOCKED RE DETAILED DIMENSIONS, SEE SD-52435-019
- 梱包数量: 1000個/リール
 NUMBER OF CONNECTORS: 1000PCS/REEL
- リードテープ長さ LEAD TAPE LENGTH



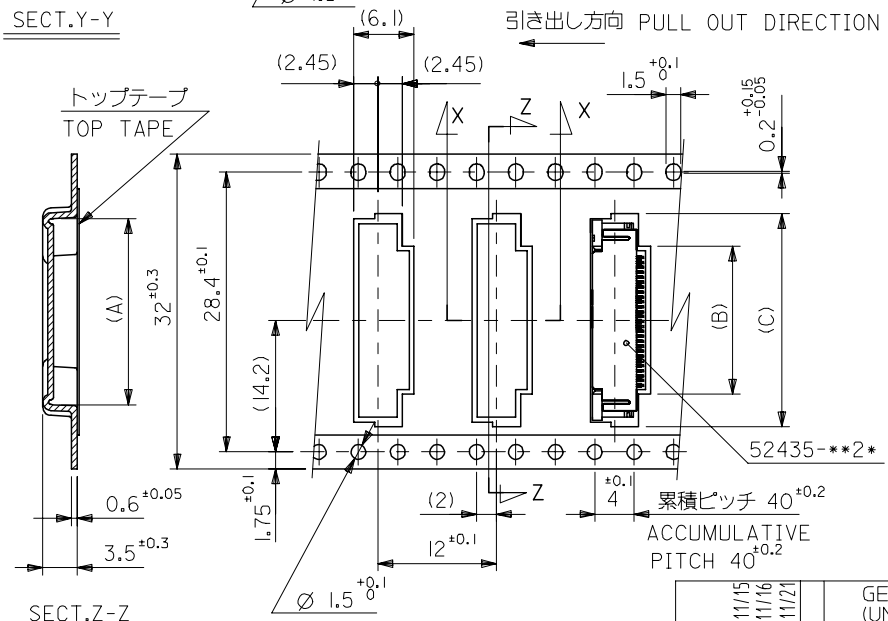
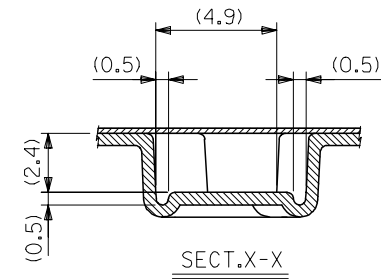
- トップテープの剥離強度: (剥離方向は下図参照)
 0.1N ~ 1.3N (10gf ~ 130gf) 尚、本規格値は、出荷時に適用。
 (但し、輸送時に剥離が発生しない事。)
 PEELING OFF FORCE OF TOP TAPE
 0.1N ~ 1.3N (10gf ~ 130gf) (PEELING DIRECTION AS SHOWN IN FOLLOWING FIG.)
 THIS REQUIREMENT SHOULD BE APPLIED AT SHIPMENT
 PEEL OFF SHOULD NOT BE ALLOWED,
 DURING TRANSPORTATION



REVISED EC NO: J2006-1608 DRWN: MAEDA CHKD: NUKITA APPR: NUKITA	DESCRIPTION 2005/11/15 2005/11/16 2005/11/21	GENERAL TOLERANCES (UNLESS SPECIFIED)		DIMENSION STYLE MM ONLY		SCALE ---	DESIGN UNITS METRIC	THIRD ANGLE PROJECTION	
		10 UNDER	±0.2	DRAWN BY YMAEDA	DATE 2005/11/11	TITLE 0.5 FPC CONN ZIF SMT R/A WITH TAPE EMBSTP PKG -LEAD FREE-			
		10 OVER 30 UNDER	±0.25	CHECKED BY MTANAKA	DATE 2005/11/11				
		30 OVER	±0.3	APPROVED BY NUKITA	DATE 2005/11/11				
ANGULAR ±3 °		DRAFT WHERE APPLICABLE MUST REMAIN WITHIN DIMENSIONS		MATERIAL NO. SEE CHART		DOCUMENT NO. SD-52435-020		SHEET NO. 1 OF 3	
SIZE A3		THIS DRAWING CONTAINS INFORMATION THAT IS PROPRIETARY TO MOLEX INCORPORATED AND SHOULD NOT BE USED WITHOUT WRITTEN PERMISSION							



24mm幅キャリアテープ
24mm WIDTH CARRIER TAPE



32mm幅キャリアテープ
32mm WIDTH CARRIER TAPE

32	33.5	22.4	15.8	21.4	52435-297*	29
		21.9	15.3	20.9	-287*	28
		21.4	14.8	20.4	-277*	27
		20.9	14.3	19.9	-267*	26
		20.4	13.8	19.4	-257*	25
		19.9	13.3	18.9	-247*	24
		19.4	12.8	18.4	-237*	23
		18.9	12.3	17.9	-227*	22
		17.9	11.3	16.9	-207*	20
		17.4	10.8	16.4	-197*	19
24	25.5	16.9	10.3	15.9	-187*	18
		16.4	9.8	15.4	-177*	17
		15.9	9.3	14.9	-167*	16
		15.4	8.8	14.4	-157*	15
		14.9	8.3	13.9	-147*	14
		14.4	7.8	13.4	-137*	13
		13.9	7.3	12.9	-127*	12
		13.4	6.8	12.4	-117*	11
		12.9	6.3	11.9	-107*	10
		12.4	5.8	11.4	-097*	9
11.9	5.3	10.9	-087*	8		
11.4	4.8	10.4	-077*	7		
10.9	4.3	9.9	52435-067*	6		
キャリアテープ幅 CARRIER TAPE WIDTH		D	(C)	(B)	(A)	52435-067*
			ENG. NO.			極数 CIRCUIT

REVISED EC NO: J2006-1608 DRWN: MAEDA CHKD: NUKITA APPR: NUKITA	GENERAL TOLERANCES (UNLESS SPECIFIED)		DIMENSION STYLE MM ONLY		SCALE ---	DESIGN UNITS METRIC	THIRD ANGLE PROJECTION
	10 UNDER	±0.2	DRAWN BY YMAEDA		DATE 2005/11/11	TITLE 0.5 FPC CONN ZIF SMT R/A WITH TAPE EMBSTP PKG -LEAD FREE-	
	10 OVER 30 UNDER	±0.25	CHECKED BY MTANAKA		DATE 2005/11/11	MOLEX INCORPORATED	
	30 OVER	±0.3	APPROVED BY NUKITA		DATE 2005/11/11	DOCUMENT NO. SD-52435-020	
	ANGULAR	±3 °	MATERIAL NO. SEE CHART		DATE	SHEET NO. 2 OF 3	
DRAFT WHERE APPLICABLE MUST REMAIN WITHIN DIMENSIONS		SIZE A3		THIS DRAWING CONTAINS INFORMATION THAT IS PROPRIETARY TO MOLEX INCORPORATED AND SHOULD NOT BE USED WITHOUT WRITTEN PERMISSION			

10 9 8 7 6 5 4 3 2 1

F

E

D

C

B

A

F

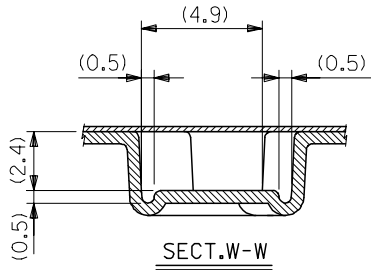
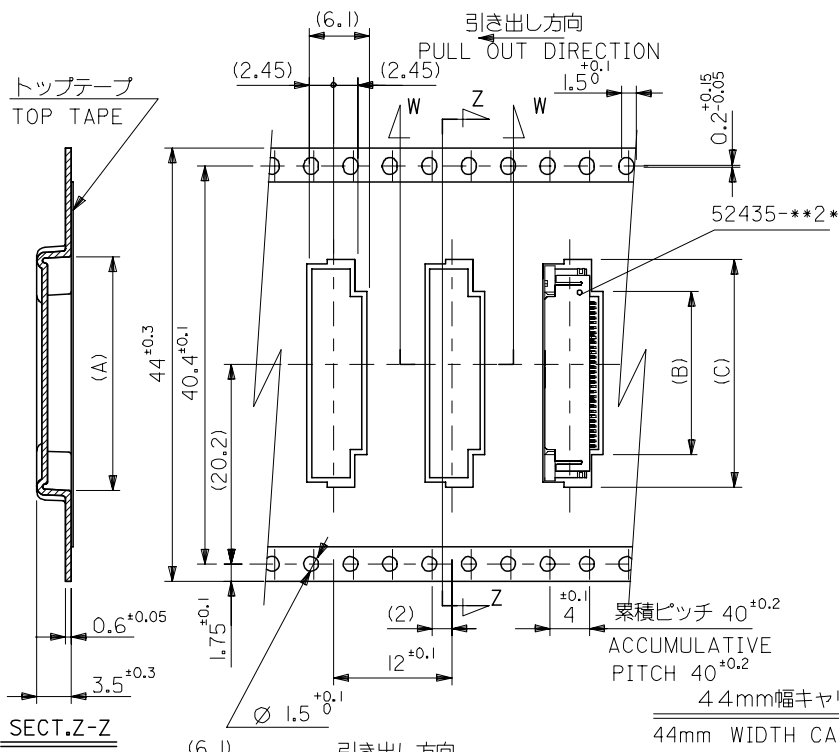
E

D

C

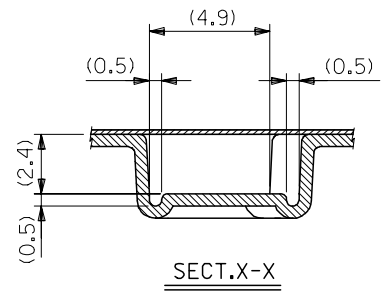
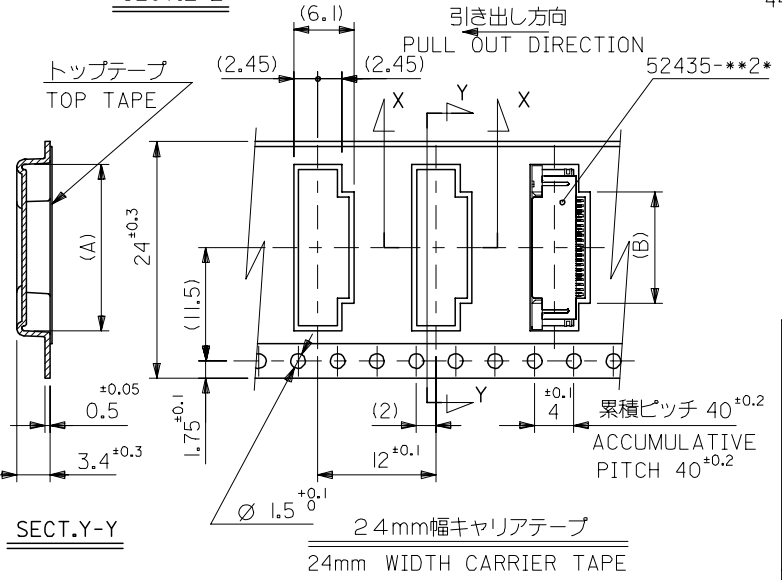
B

A



44	45.5	22.9	16.3	21.9	52435-307*	30
キャリアテープ幅 CARRIER TAPE WIDTH	D	(C)	(B)	(A)	ENG. NO.	極数 CIRCUIT

44mm幅キャリアテープ
44mm WIDTH CARRIER TAPE



24	25.5	11.8	17.4	52435-217*	21
キャリアテープ幅 CARRIER TAPE WIDTH	D	(B)	(A)	ENG. NO.	極数 CIRCUIT

24mm幅キャリアテープ
24mm WIDTH CARRIER TAPE

REVISED EC NO: J2006-1608 DRWN: MAEDA CHK: NUKITA APPR: NUKITA 2005/11/15 2005/11/16 2005/11/21	GENERAL TOLERANCES (UNLESS SPECIFIED)		DIMENSION STYLE MM ONLY		SCALE ---	DESIGN UNITS METRIC	THIRD ANGLE PROJECTION
	10 UNDER	±0.2	DRAWN BY YMAEDA	DATE 2005/11/11	TITLE 0.5 FPC CONN ZIF SMT R/A WITH TAPE EMBSTP PKG -LEAD FREE-		
	10 OVER 30 UNDER	±0.25	CHECKED BY MTANAKA	DATE 2005/11/11	APPROVED BY NUKITA		
	30 OVER	±0.3	APPROVED BY DATE 2005/11/11		MOLEX INCORPORATED		
	ANGULAR	±3 °	MATERIAL NO. SEE CHART		DOCUMENT NO. SD-52435-020	SHEET NO. 3 OF 3	
DRAFT WHERE APPLICABLE MUST REMAIN WITHIN DIMENSIONS		THIS DRAWING CONTAINS INFORMATION THAT IS PROPRIETARY TO MOLEX INCORPORATED AND SHOULD NOT BE USED WITHOUT WRITTEN PERMISSION					

9 8 7 6 5 4 3 2 1 EN-02JA(021)